

Pneutork solenoid valves are the best for the inflammable media. The Flame proof Explosion proof solenoid coils are available in such application.

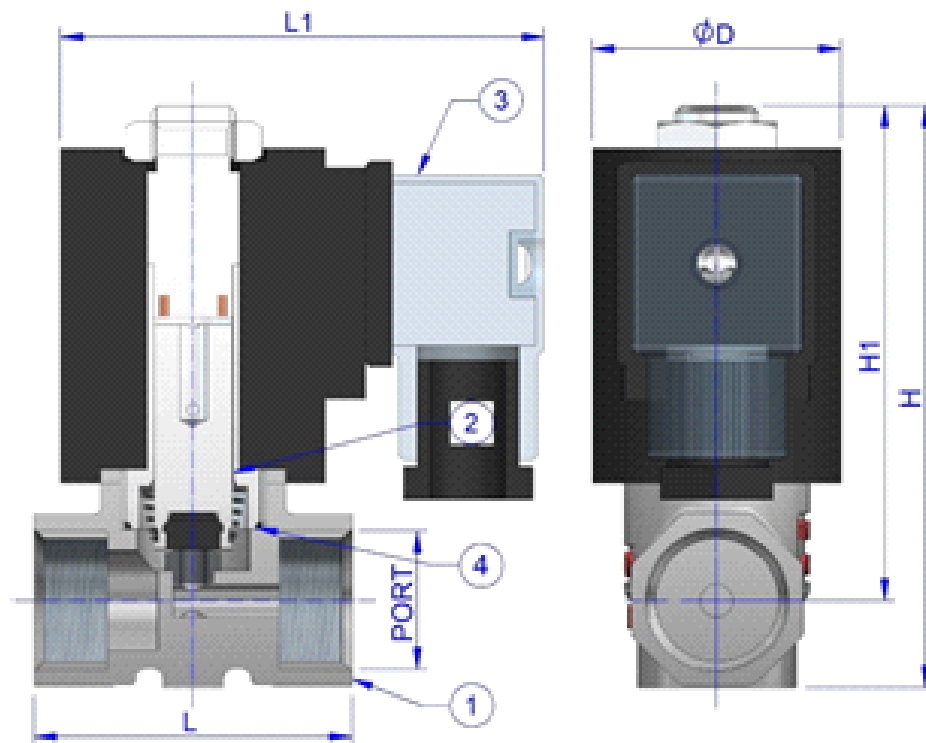
► **Size Range- 1/4" & 1/2" (6MM & 15MM)**

► **Caution-**

- » Compact design, lightweight & long durability
- » Constructed from advanced technology & design
- » Easy installation, Universal mounting.
- » Normally Close (N/C) / Normally Open (N/O)

► **Technical Specification-**

Temperature of fluids	-5°C to 85°C (High temperature On request)
Coil Voltage	24V, 110V, 230V AC/DC
Ends	Screwed End / Socket Weld
Media	Air/Gas/Oil/Water/Chemical/ Hot Water



► **Technical Specification Table**

Valve Size		L	ØD	L1	H	H1
MM	Inch					
6	1/4"	43	40	75	83	72
10	3/8"	48	40	75	88	75
15	1/2"	48	40	75	88	75

No.	Description	Material	Qty.
1	Body	CF8/CF8M	01
2	Solenoid Coil Casing	STD.	01
3	Housing Plunger Set	STD.	01
4	Solenoid Coil	STD.	01
5	Plunger O Ring	NBR/EPDM/VITON	01

► **Coil Selection**

Voltage	230VAC	110VAC	24VDC	24VDC	12VDC
Power	9W	9W	9W	11W	11W