

# 2/2 Way Pilot operated Diaphragm type solenoid valve.

Pneutork offers HIGHFLOW diaphragm type solenoid valves, are specially engineered in the construction of Investment cast CF8/CF8M body with electro polished for multiple and long lasting operation. Valves for the inflammable media / Environment / Flameproof / Explosion Proof solenoid coil are available in such application.

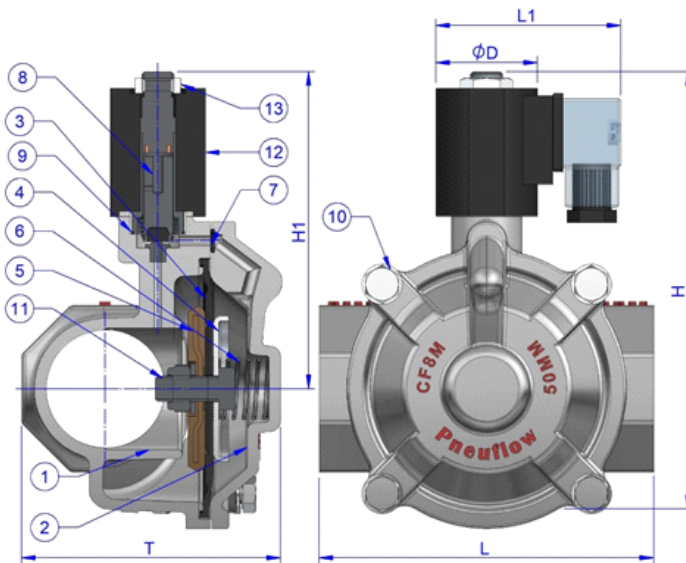
## Size Range: 1/2" to 2" (15MM TO 50MM)

### Suitable for

Textile Processing Machinery, Chemical Plants, Water Treatment, Sugar Machinery, Cement machinery, Pumps, Irrigation, Combustion Equipment, Heat Exchanger, Air dryer, Pollution Controls, Laundry equipment's and where dependable ON/OFF type control is required.

### Technical Specification

Pressure Rating:	0.5 to 10 Bar max
Temperature:	-10°C to 80°C (Upto 120°C On request)
Coil Voltage:	12V, 24V, 48V, 110V, 230V AC/DC
Coil Insulation:	F class / H class
Coil Enclosure:	IP 67 with LED indicator. (Flame proof / Explosion proof as per IS IEC 60079-1 STD for Class II A, II B, II C Zone.)
Coil Rating:	Continuous Rated.
Ends:	Screwed End / Flanged End 150#
Types:	Normally Close - Energized to Open Normally Open - Energized to Close
Application:	Air, Water, Light Oil, Gas, Light Chemical



No.	Description	Material	Qty.
1	Body	CF8/CF8M	01
2	Cover	CF8/CF8M	01
3	Diaphragm	NBR / EPDM / VITON	01
4	Embossed Washer	S. S. 304	01
5	Seat Washer	S.S.	01
6	Spring	Spring Steel	01
7	O Ring	NBR/EPDM/VITON	01
8	Housing Plunger Set	STD.	01
9	Plunger O Ring	NBR/EPDM/VITON	01
10	BOLT + NUT FOR COVER	S.S. 304	01
11	BOLT + NUT FOR DIAPHRAGM	S. S. 304	01
12	SOLENOID COIL	STD.	01
13	PLUNGER SET	NYLONE / S.S. 304	01

### Dimension in mm

Valve Size IN MM	Valve Size INCH	Flow Factor Kv <sub>m</sub> <sup>2</sup> /hr	L ±3 mm	L1 ±1 mm	ØD ±1 mm	T ±3mm	H ±2mm	H1 ±2mm
15MM	1/2"	3.5	67	75	40	53	125	95
20MM	3/4"	5.0	81	75	40	62	132	97
25MM	1"	11.0	96	75	40	65	148	105
40MM	1.1/4"	20.0	108	75	40	93	160	108
50MM	1.1/2"	38.0	132	75	40	103	183	126

### Coil Selection

Voltage	230VAC	110VAC	24VDC	24VDC	12VDC
Power	9W	9W	9W	11W	11W