

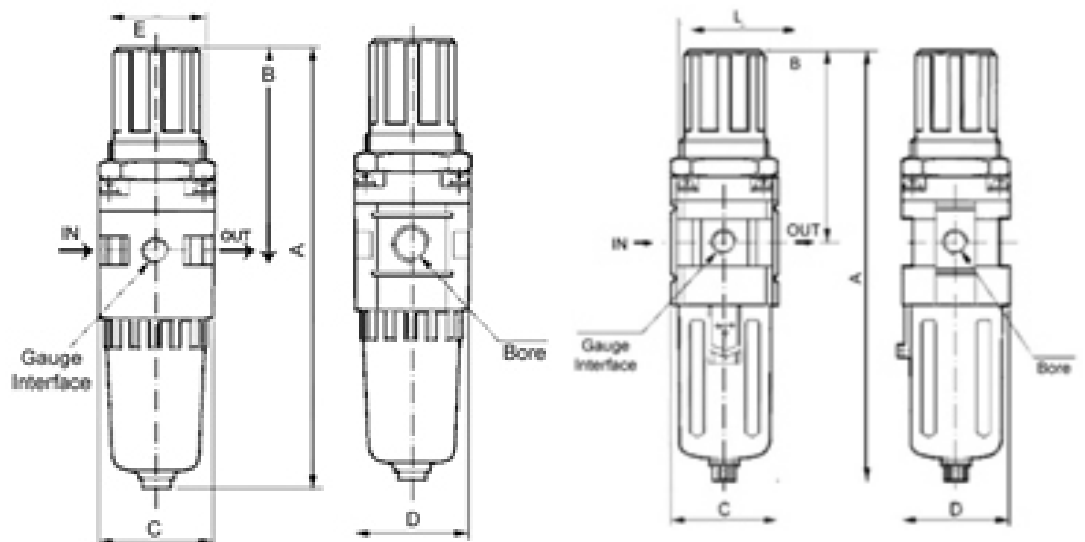
MODEL - AW SERIES

Detail Specification

| | |
|---------------------------------|---------------------------------|
| Model: | AW2000 / AW3000 |
| Material: | Aluminium alloy |
| Filtration accuracy: | 25µm |
| Maximum service pressure: | 1.0MPa |
| Guaranteed pressure resistance: | 1.5MPa |
| Use temperature range: | 5~60 °C |
| Adjusting pressure range: | 0.05 ~ 0.85MPa |
| Container Material: | Poly Carbonate |
| Protection Cover: | Not Available in Model : Aw2000 |
| | Available in Model : Aw3000 |
| Size: | ¼" and ½" available |
| Drain Function: | Differential Drain |
| Valve Type: | With overflow |

MODEL - Aw2000

MODEL - Aw2000



Dimension

| Model | Bore | A | B | C | D | E |
|-------------|-------|-------|------|----|----|----|
| AW2000-1/4" | G1/4" | 164.5 | 78 | 40 | 40 | 34 |
| AW2000-1/2" | G1/2" | 262 | 112 | 70 | 70 | 54 |
| AW3000-1/4" | G1/4" | 211 | 92.5 | 53 | 53 | 40 |
| AW3000-1/4" | G1/4" | 262 | 112 | 70 | 70 | 54 |