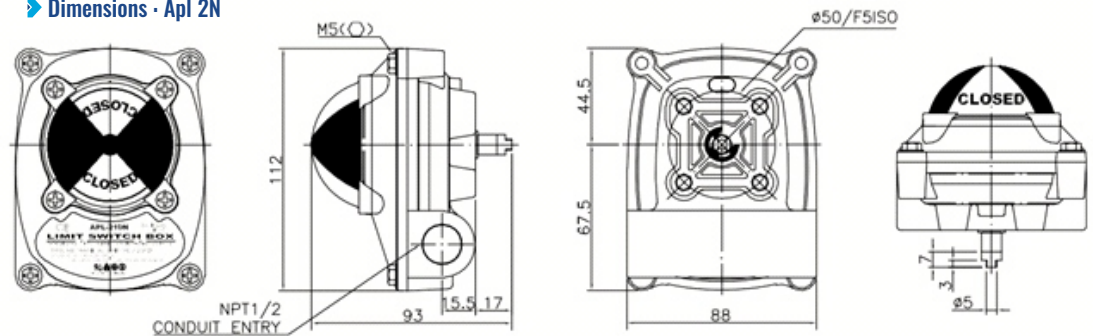


MODEL APL2N

Specification - APL 2N	Standard - APL 2N	Optional - APL 2N
Enclosure	Weather Proof IP 67 / NEMA 4X4 X	Weatherproof IP 68
Cable Entries	Two NPT 1/2"	Two PF 1/2 PT 1/2 M20, PG13.5
Ambient Temperature	-20OC to 80OC	-
Terminal Strips	8 points (0.08-2.5m)	-
Position Indicator	0 ~ 90 (90 turn free join) Close : Red, Open : Yellow	Three position L port / T port Close : Red, Open : Green
Switches	Mechanical Switch X 2 Proximity Sensor X 2	-
Painting	Chrome Polyester powder coating (Black)	Nylon others on request Red, green, blue, yellow, silver

Dimensions · Apl 2N



MODEL APL3N

Specification - APL3N	Standard - APL 3N	Optional - APL 3N
Enclosure	Weather Proof IP 67 / NEMA 4X4 X	Weatherproof IP 68
Cable Entries	Two NPT 1/2"	Two PF 1/2 PT 1/2 M20, PG13.5
Ambient Temperature	-20°C to 80°C	-40°C to 80°C -20°C to 15°C
Terminal Strips	8 points (0.08-2.5m)	16 Points (0.08-2.5)
Position Indicator	0 ~ 90 (90 turn free join) Close : Red, Open : Yellow	Three position L port / T port Close : Red, Open : Green
Switches	Mechanical Switch X 2 Proximity Sensor X 2	Mechanical Switch X4 Proximity Sensor x4
Potentiometer	-	1k ohm standard. 5k ohm. 0-10k ohm
Current Output Signal		4-20mA DC 12.5 to 37VDC (24V typical)
Painting	Chrome Polyester powder coating (Black)	Nylon others on request Red, green, blue, yellow, silver

