

ELECTRICAL ON/OFF, MODULATING AND INTEGRAL STARTED PTFE LINED BUTTERFLY VALVE

Pneutork offers electrical actuator operated PTFE lined butterfly valve for corrosive application. The PTFE seal lined covers the entire wetted surface of the body and extends on to the flanged contact faces. The elimination as possibility of media contact with the body.

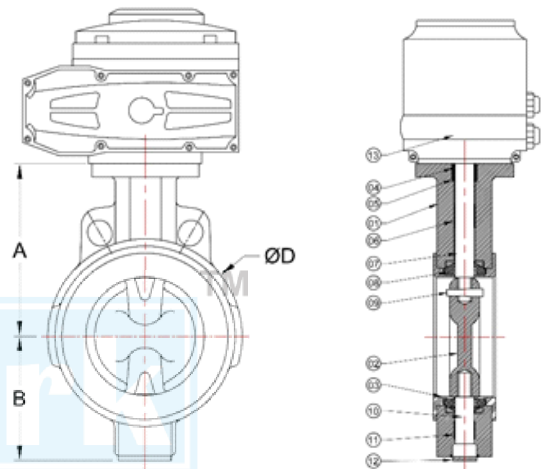
Size Range- 2" to 12" (50mm to 300mm)

Butterfly Valve Specification.

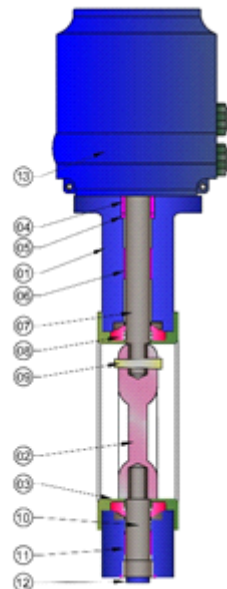
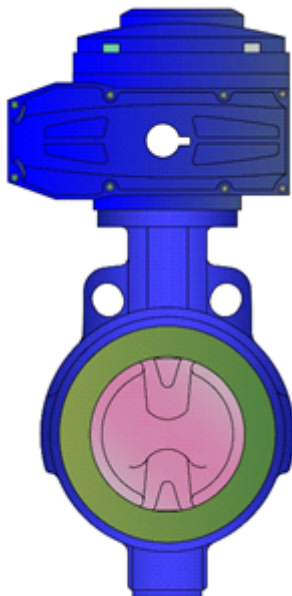
Valve Type	Centric disc butterfly valve with PTFE lined body
Body Type	Short Wafer (sandwiched between flanges) two piece design
Seat Type	Teflon Sleeve
End Connection	Wafer Sandwiched
Pressure Rating	PN 10 / PN16 (On Request)
Oper. Temp. Range	-160°C depending on MOC
Seat Leakage	Tight Shut off



No.	Description	Material
1	Body	CI/WCB/CF8/CF8M/DI
2	Disc	DI/SS 304 / SS 316
3	Seat	PTFE
4	Collar	PTFE
5	"O" Ring	Viton
6	Metal Bush	PTFE Coated
7	Top Shaft	AISI 410
8	Pad	Silicon
9	Disc Pin	S. S. 304
10	Bottom Shaft	AISI 410
11	"O" Ring	Viton
12	Plug	M.S.
13	Electric Actuator	Standard.



■ Actuators ■ Positioners ■ Limit Switch



Valve Size		A	B	ØD
MM	Inch			
40	1.1/2"	55.5	81.5	33.5
50	2"	60.5	100	43.5
65	2.1/2"	68	107.5	46
80	3"	75.5	115	46
100	4"	85.5	125	52
125	5"	108.5	167.5	56
150	6"	121	180	56
200	8"	146	205	60
250	10"	221	271	68
300	12"	252	296	78
350	14"	271	312	78
400	16"	300	365	102
450	18"	332	368	90
500	20"	377	420	90

Optional electrical actuator on/off, modulating and integral starter on above valves



For detailed information refer page no. : XX to XX

For detailed information refer page no. : XX to XX

For detailed information refer page no. : XX to XX