

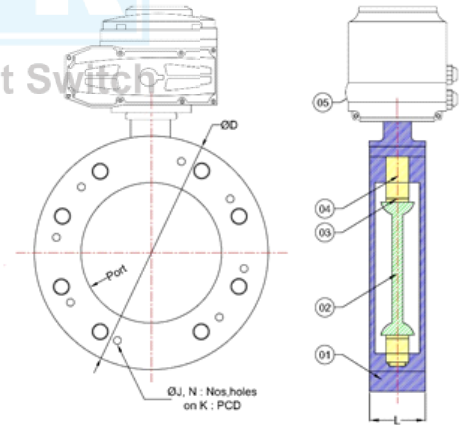
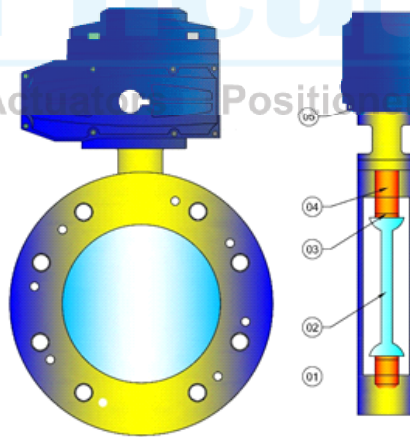
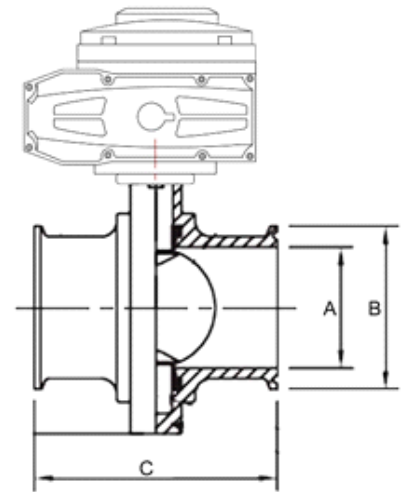
# Electrical on/off, modulating and integral starter WAFER TYPE / TC END BUTTERFLY VALVE FOR PHARMA APPLICATION.

► Size Range- 1" to 20" (40mm to 500mm wafer type, 25mm to 300mm TC end)

► Butterfly Valve Specification.

Valve Type	Wafer type
Body Type	Soft Wafer Type (sandwiched between flanges)
Seat Type	Food grade silicon (others on request)
End Connection	Wafer Sandwiched / Tc End
Pressure Rating	PN 6 (Maximum)
Oper. Temp. Range	-20°C to 95°C

No.	Description	Material
1	Body	SS 304 / SS 316 / SS 316L
2	Disc	SS 304 / SS 316 / SS 316L
3	Seat	Silicon
4	Shaft	SS 304 / SS 316 / SS 316L
5	Electric Actuator	Standard.



MM	Inch	Dimension Of Wafer Type						Dimension Of TC End		
		Port ±1MM	L ±3MM	ØD ±5MM	N	ØJ ±5MM	PCD ±1.5MM	A	B	C
25	1"	25	24	85	4	6.35	65	22.1	50.5	60
40	1.1/2"	38	25	95	4	6.35	74	34.8	50.5	60
50	2"	50	26	118	4	7.9	97	47.5	64	60
65	2.1/2"	63	26	127	4	7.9	105	6.2	77.5	60
80	3"	76	26	144	4	7.9	128	72.2	91	74
100	4"	100	25	160	4	7.9	142	97.6	119	90
125	5"	127	25	200	6	9.5	175	148.4	167	85
150	6"	150	25	225	6	9.5	203	199.2	217	88
200	8"	200	28	285	6	9.5	264	250	268	90
250	10"	250	28	335	6	11	298	300	319	90
300	12"	300	30	385	8	14.5	360			
350	14"	350	35	440	8	14.5	415			
400	16"	400	35	490	10	17.5	460			
450	18"	457	35	540	10	17.5	508			
500	20"	508	35	600	12	17.5	565			

NOT AVAILABLE

Optional electrical actuator on/off, modulating and integral starter on above valves



For detailed information refer page no. : XX to XX

For detailed information refer page no. : XX to XX

For detailed information refer page no. : XX to XX