

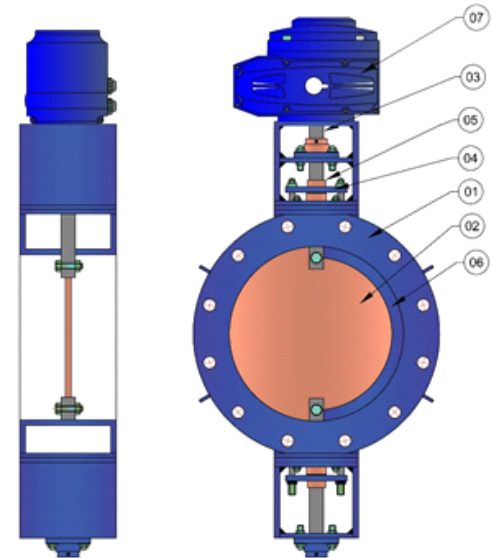
Size Range- 8" to 40" (200mm to 1000mm)

Butterfly Valve Specification.

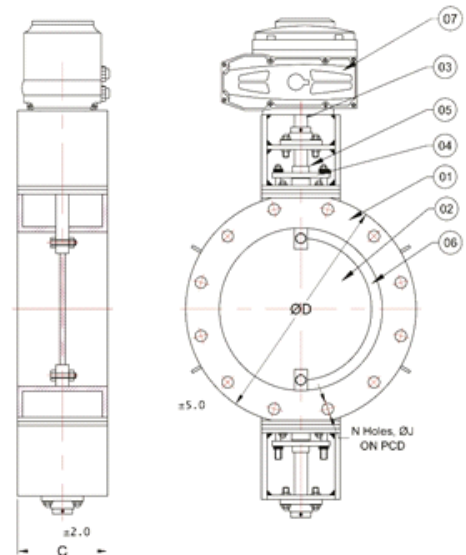
Valve Type	Centric Disc Damper Valve Double Flange
Body Type	Double Flange
Seat Type	Metal To Metal
End Connection	PN6, EN 1092 - 1 (ASME B16.47 SERIES B)
Pressure Rating	5KG/CM2
Oper. Temp. Range	Upto 450°C
Seat Leakage	5% Leakage of main flow (class 1 available On Request)

Item	Type of Test	Testing Pressure
Valve Body	Hydraulic	10 Kg/Cm ²
Seat	Hydraulic	5% leakage

No.	Description	Material
1	Body	M S FABRICATED
2	Disc	MS / S. S. 304 / 316
3	Shaft	AISI 410
4	Gland Pata	M S
5	Bearing	Standard
6	Seat Ring	MS Fabricated
7	Electrical actuator	Standard



MM	Inch	ØD ±5MM	PCD ±0.5MM	N	ØJ	A	B	C ±2MM
200	8"	320	280	8	18	310	360	150
250	10"	375	335	12	18	338	388	150
300	12"	440	395	12	22	370	420	150
350	14"	490	445	16	22	395	445	150
400	16"	540	495	16	22	420	470	150
450	18"	595	550	16	22	445	498	150
500	20"	645	600	20	22	470	573	200
600	24"	755	705	20	26	498	628	200
650	26"	785	744	20	26	573	643	200
700	28"	860	810	24	26	628	680	200
750	30"	887	846	24	26	643	694	200
800	32"	975	920	24	30	680	738	200
850	34"	1005	957	24	30	394	753	200
900	36"	1075	1020	24	30	738	838	200
1000	40"	1175	1120	28	30	788	868	250



Optional electrical actuator on/off, modulating and integral starter on above valves



For detailed information refer page no. : XX to XX

For detailed information refer page no. : XX to XX

For detailed information refer page no. : XX to XX