

Motorized 3 WAY / 4 WAY BALL VALVE

Pneutork make electrical On/Off, Modulating and Integral starter actuator operated 3 way / 4 way design sand casting / bar stock body WB/CF8/CF8M ball valve engineered for multiple diverting / mixing operation in downstream. Type: L port / T port, X port in reduce bore.

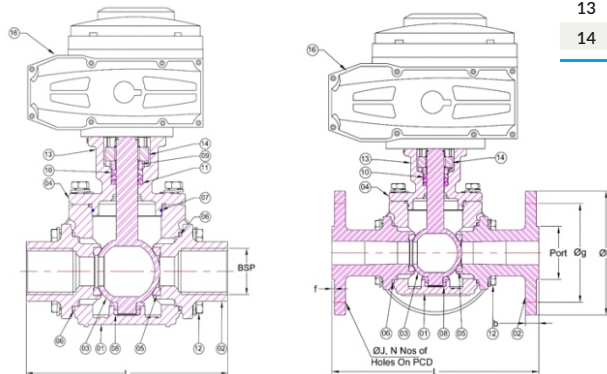
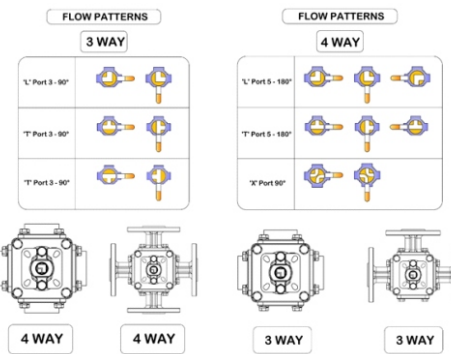
SIZE RANGE · 1/2" to 4" Screwed end 1/2" TO 8" Flanged end.

Ball Valve Specification

Type of Valve Body & Ball	Full port on/off type
Working Pressure	10 Bar
Working Temperature	Upto 180°C
Pressure Rating	150#/300#
Leakage Class	Class VI
Working Fluid	Air, Water & OIL

Standards

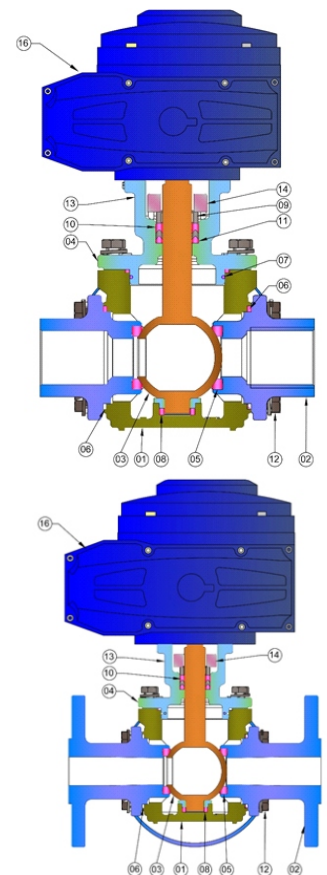
Design and Manufacturing	ASME B16.34 / API 6D / BS EN ISO 17292
Valve Face to Face Dimension	ANSI B16.10
Flange Standard Conformity	ASME B16.5 Class 150
Inspection & Testing	API 598



No.	Description	Material	QTY
1	Body	WCB / CF8 / CF8M	01
2	End Collection	WCB/CF8/CF8M	01
3	Ball	CF8/CF8M	01
4	Ball Seat	PTFE/GFT/CFT	02
5	Body Seat	PTFE/GFT/CFT	01
6	Stem Pin	S. S. 304 / 316	01
7	Stem Seat	PTFE/GFT/CFT	05
8	Gland Bush	S.S.304/316	01
9	Gland	CF8/CF8M	01
10	Hex Bolt + Spring Washer	S. S. 304	04
11	Bracket	S. S. 304	01
12	Bracket Fitting Hex Bolt + Spring Washer	S. S. 304	04
13	Gland Hex Bolt	S. S. 304	02
14	Actuator	STD.	01

All Dimension are in mm

Valve Size	PORT	L	BSP	L1	ØD	Øg	b	f	N	ØJ	PCD	
MM	Inch	Screwed	Screwed									
15	1/2"	13	71	13	108	90	34.9	8.5	2	4	15.9	60.3
20	3/4"	19	83	19	117	100	42.9	8.9	2	4	15.9	69.9
25	1"	25	89	25	127	110	50.8	9.6	2	4	15.9	79.4
40	1.1/2"	38	134	38	165	125	73	12.7	2	4	15.9	98.4
50	2"	49	150	49	178	150	92.1	14.3	2	4	19.05	120.7
65	2.1/2"	64	177	62	190	180	104.8	15.9	2	4	19.05	139.7
80	3"	74	199	74	203	190	127	17.5	2	4	19.05	152.4
100	4"	98	265	100	305	230	157.2	22.3	2	8	19.05	190.5
125	5"	127	N/A	N/A	356	255	185.7	22.3	2	8	22.2	215.9
150	6"	150	N/A	N/A	394	280	215.9	23.9	2	8	22.2	241.3
200	8"	201	N/A	N/A	600	345	269.9	27	2	8	22.2	298.5



Optional electrical actuator on/off, modulating and integral starter on above valves

