

Motorized Double Flange Butterfly Valve.

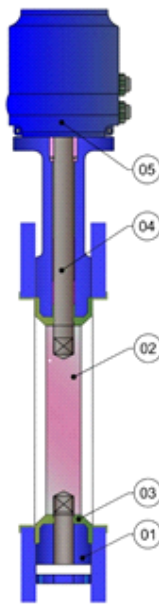
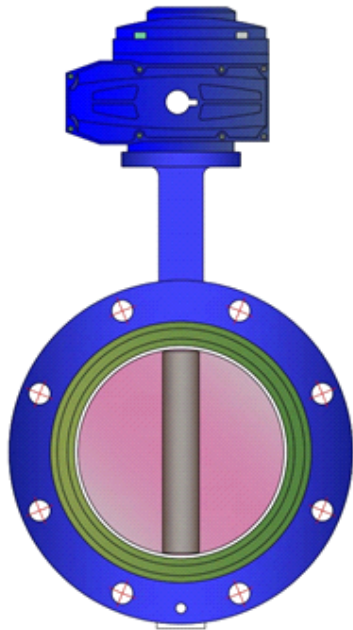
Pneutork make electrical on/off, modulating and integral starter actuator operated RUBBER LINED DOUBLE FLANGE TYPE BUTTERFLY VALVE

Size Range- 3" to 28" (80mm to 700mm)

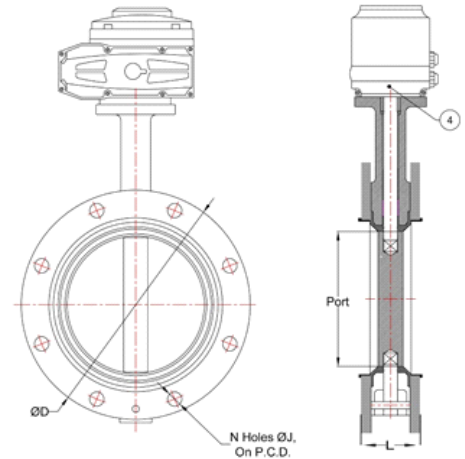
Butterfly Valve Specification

Valve Type	Centric Disc Butterfly Valve with single Piece Rubber Lined Body
Body Type	Short wafer type Double Flange
Seat Type	Integrally moulded with The Body (Renewable seat on Request) REPLACEABLE ON REQUEST
End Connection	Flange type to Suit 150# / Table "D" / Table "E" & IS 6392 Table 11 (PN 10/PN 16)
Pressure Rating	PN10 / PN 16
Oper. Temp. Range	-20°C to 80°C for nitrile seat (Depending on MOC) -20°C to 120°C for EPDM seat
Seat Leakage	Tight Shut Off

Item	Type of Test	Testing Pressure	Seat	Temperature Range
Valve Body	Hydraulic	225 PSIG	Nitrile	-13°C to 100°C
Seat	Hydraulic	150 PSIG	EPDM	-13°C to 120°C
			Silicon	-50°C to 180°C
			VITON	-5°C to 200°C



No.	Description	Material
1	Body	Cast iron/ WCB / S. S. 304 / S. S. 316
2	Disc	S. G. Iron / S. S. 304 / S. S. 316
3	Moulded Seat	Nitrile / EPDM / Viton / Silicon
4	Shaft	AISI 410 / AISI 304 / AISI 316
5	Bottom Pin	AISI 410 / AISI 304 / AISI 316
6	Electric Actuator	STD.



All dimensions are in MM.

MM	Inch	Port	L Long Pattern	L Short Pattern	ØD	N	ØJ	PCD
80	3"	80	114	46	190	4	19.05	152.4
100	4"	100	127	52	230	8	19.05	190.5
125	5"	125	136	56	280	8	22.2	241.3
150	6"	150	138	60	345	8	22.2	241.3
200	8"	200	152	68	345	8	22.2	298.5
250	10"	249	165	78	405	12	25.4	362
300	12"	297	178	78	485	12	25.4	431.8
350	14"	348	190	102	535	12	28.6	476.3
400	16"	394	216	114	595	16	28.6	539.8
450	18"	433	222	127	635	16	31.75	577.9
500	20"	470	229	154	700	20	31.75	635
600	24"	570	267	165	815	20	34.9	749.3
650	26"	635	278	165	870	24	34.9	806.4
700	28"	680	292	165	925	28	34.9	863.6