

Electrical On/Off, Modulating, Integral starter Polypropylene 3 pcs design ball valve screwed end / flanged end for highly corrosive alkies and acidic media.

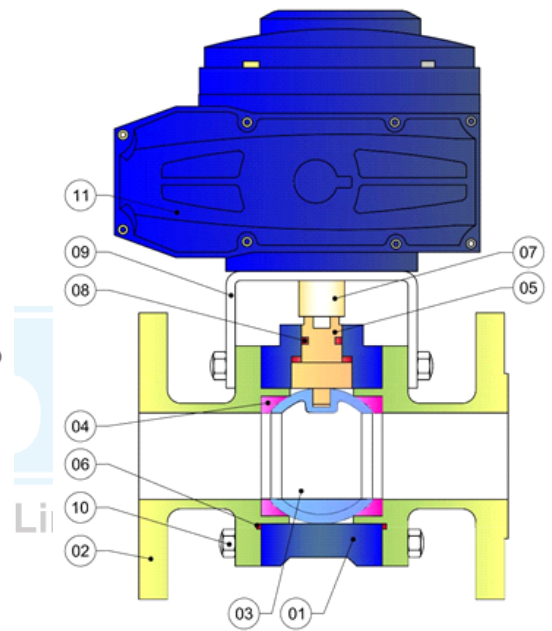
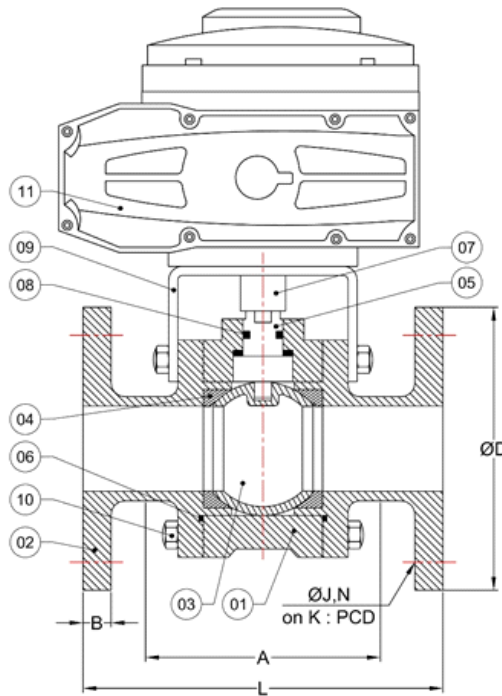
SIZE RANGE · 1/2" TO 3" SCREWED END, 1/2" TO 12" FLANGED END

Hydro test pressure

Body	Seat	Temperature
150 PSI	150 PSI	100°C

PVDF for Highly Acidic Media
 Available on Request.

No.	Description	Material	QTY
1	Body	Polypropylene	01
2	End Connector	Polypropylene	02
3	Ball	Polypropylene	01
4	Ball Seat	PTFE	02
5	Stem Pin	S. S. 304	01
6	Body Seat	PTFE	02
7	Adaptor	M.S./S. S. 304	01
8	Stem O Ring	NBR	01
9	Clamp	M.S./S. S. 304	01
10	Bolt/Nut	S. S. 304	04
11	Electrical Actuator	STD.	01



Valve Size		Screwed		Flanged				
MM	Inch	A	L	b	ØD	ØJ	N	K:PCD
15	½"	127	130	16.5	96	15.9	4	60.3
20	¾"	139	132	14.5	102	15.9	4	69.9
25	1"	150	152	18.5	121	15.9	4	79.4
32	1.1/4"	172	162	18	124	15.9	4	88.9
40	1.1/2"	172	170	18.5	140	15.9	4	98.4
50	2"	209	209	22.5	165	19.05	4	120.7
65	2.1/2"	248	230	22.5	184	19.05	4	139.7
80	3"	250	254	24	203	19.05	4	152.4
100	4"	N/A	310	27	229	19.05	8	190.5
150	6"	N/A	477	28	305	22.5	8	241.3
200	8"	N/A	477	30	368	22.5	8	298.5
250	10"	N/A	560	31	432	25.4	12	362
300	12"	N/A	560	31	489	25.4	12	431.8

Optional electrical actuator on/off, modulating and integral starter on above valves



For detailed information refer page no. : XX to XX

For detailed information refer page no. : XX to XX

For detailed information refer page no. : XX to XX