

Pneutork make electrical On/off, Modulating and Integral starter operated investment casting WCB/CF8/CF8M wafer type ball valve.

SIZE RANGE - 1" TO 4"

Ball Valve Specification.

Working Pressure	10 Bar
Working Temperature	Upto 180°C Max.
Valve Rating	150#
Leakage Class	Class VI

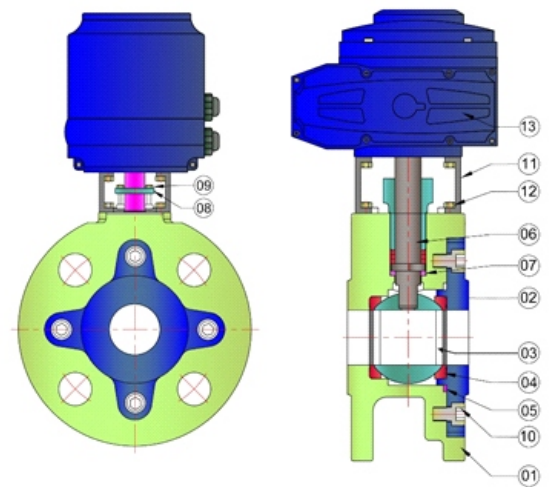
25mm Size : Solid Ball And Above That
Hollow Ball

Standards

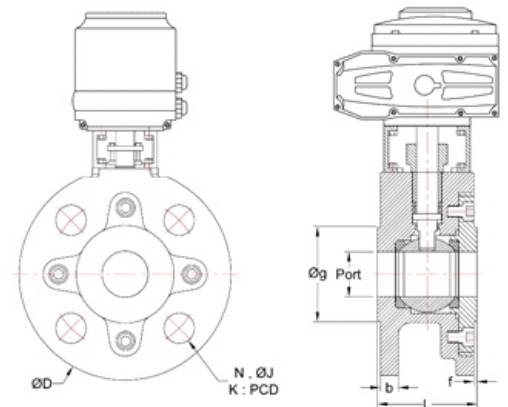
Design and Manufacturing	IS / ISO 17292
Valve Face to Face Dimension	As per Manufacturing Std.
Flange Standard Conformity	ASME B16.5 Class 150
Inspection & Testing	API 598 / IS / ISO 17292



No.	Description	Material	QTY
1	Body	WCB/CF8/CF8M	01
2	Connector	WCB/CF8/CF8M	01
3	Ball	CF8/CF8M	01
4	Ball Seal	PTFE / GFT / CFT	01
5	Ball Seat	PTFE / GFT / CFT	02
6	Stem Pin	S. S. 304	02
7	Stem Seat	S. S. 304	02
8	Gland with Bush	PTFE / GFT / CFT	01
9	Gland Fitting Bolt	S. S.	02
10	Allen Bolt	S. S.	04
11	Bracket	S. S.	01
12	Bracket Fitting Bolt & Washer	S. S.	08
13	Electrical Actuator	STD.	01



Valve Size		L	b	f	Port	Øg	ØD	ØJ	N	PCD
MM	Inch									
25	1"	54	9.6	2	25	50.8	110	15.88	4	79.4
32	1.1/4"	58.5	11.2	2	32	63.50	115	15.88	4	88.9
40	1.1/2"	63	12.7	2	38	73	127	15.88	4	98.4
50	2"	73	14.3	2	49	92.1	152	19.05	4	120.7
65	2.1/2"	96	15.9	2	62	104.65	177.8	19.05	4	139.7
80	3"	118	17.5	2	74	127	190	19.05	4	152.4
100	4"	140	22.3	2	100	157.2	230	19.05	8	190.5



Optional electrical actuator on/off, modulating and integral starter on above valves



For detailed information refer page no. : XX to XX

For detailed information refer page no. : XX to XX

For detailed information refer page no. : XX to XX