

# Motorized Wafer Type Butterfly Valve.

Pneutork make on/off, modulating, integral starter actuator operated rubber lined butterfly valve for HVAC & utilities. These valves are truly Fit & Forget Valve which requires minimum maintenance. The body line which also function as per soft seat, comes in integrally moulded version and offers bi-directional sealing against vacuum up to the pressure of PN 10 / PN 16



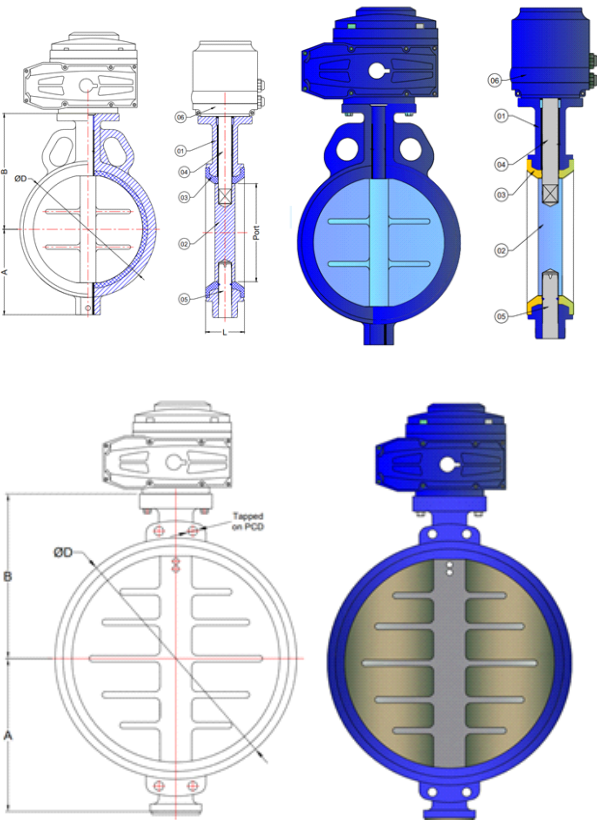
## Size Range- 1.1/2" to 28" (40mm to 700mm)

### Butterfly Valve Specification

Valve Type	Centric Disc Butterfly Valve with single Piece Rubber Lined Body
Body Type	Soft Wafer Type
Seat Type	Integrally moulded with The Body (Renewable seat on Request)
End Connection	Wafer type Suit 150# / Table "D" / Table "E" & IS 6392 Table 11 (PN 10/PN 16)
Pressure Rating	PN10 / PN 16 (PN20 on request)
Oper. Temp. Range	-20°C to 80°C for nitrile seat (Depending on MOC) -20°C to 120°C for EPDM seat
Seat Leakage	Tight Shut Off

Item	Type of Test	Testing Pressure	Temperature Range	
			Seat	Temperature
Valve Body	Hydraulic	225 PSIG	Nitrile	-13°C to 100°C
Seat	Hydraulic	150 PSIG	EPDM	-13°C to 120°C
			Silicon	-50°C to 180°C
			VITON	-5°C to 200°C

No.	Description	Material	Qty.
1	Body	Cast iron/ WCB / S. S. 304 / S. S. 316	01
2	Disc	S. G. Iron / S. S. 304 / S. S. 316	01
3	Moulded Seat	Nitrile / EPDM / Viton / Silicon	01
4	Shaft	AISI 410 / AISI 304 / AISI 316	01
5	Bottom Pin	AISI 410 / AISI 304 / AISI 316	01
6	Pneumatic Actuator	STD.	



### All Dimension are in mm.

Valve Size	Port	L	ØD	A	B	PCD Ø0.5MM	Tapped
40	1.1/2"	40	34	80	61	106	
50	2"	50	44	95	65	121	
65	2.1/2"	65	46	108	71	124	
80	3"	80	46	124	80	130	
100	4"	100	52	150	98.5	146.5	
125	5"	125	56	186	112.5	162	
150	6"	150	56	205	125	177	
200	8"	200	60	258.5	152.5	202	
250	10"	241	68	316	193	262	
300	12"	286	78	365	218	287	
350	14"	333	78	435	255	332	
400	16"	382	102	488	310	363	
450	18"	433	114	540	340	388	577.9 1" UNC
500	20"	476	127	600	370	425	635 1" UNC
600	24"	590	154	695	449	495	749.3 1.1/4" UNC
650	26"	635	165	740	455	490	806.4 1.1/4" UNC
700	28"	680	165	799	488	553	863.6 1.1/4" UNC

Optional electrical actuator on/off, modulating and integral starter on above valves



For detailed information refer page no. : XX to XX

For detailed information refer page no. : XX to XX

For detailed information refer page no. : XX to XX