

Pneumatic Actuator Operated PTFE Lined Butterfly Valve

Pneutork offers ISO 5211 pneumatic rotary actuator operated PTFE lined butterfly valve for corrosive application. The PTFE seal lined covers the entire wetted surface of the body and extends on to the flanged contact faces. The elimination as possibility of media contact with the body.



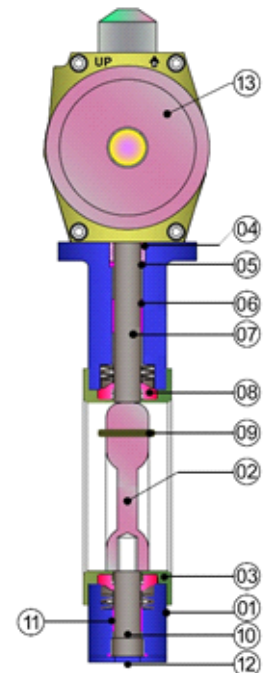
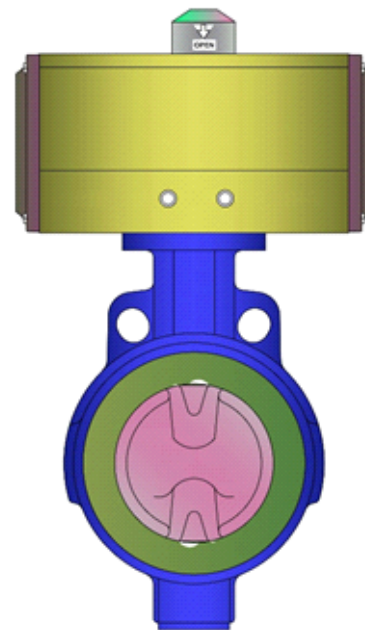
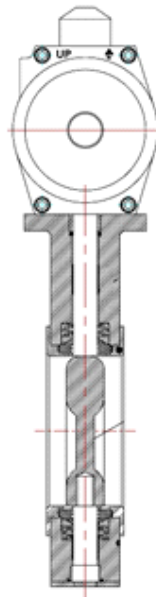
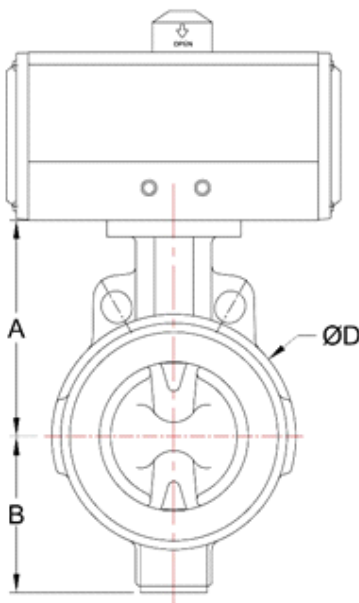
Size Range - 2" to 12" (50mm to 300mm)

Butterfly Valve Specification.

Valve Type	Centric disc butterfly valve with PTFE lined body
Body Type	Short Wafer (sandwiched between flanges) two piece design
Seat Type	Teflon Sleeve
End Connection	Wafer Sandwiched
Pressure Rating	PN 10 / PN16 (On Request)
Oper. Temp. Range	-160°C depending on MOC
Seat Leakage	Tight Shut off

Accessories

- » On/Off Actuator
- » NAMUR Standard solenoid valve all standard coil voltage (Flame proof solenoid coil on request)
- » Pneumatic & Electro pneumatic valve positioner.
- » Declutch able Manual Over ride
- » Limit Switch for on/off indication at panel board.
- » Air filter + Regulator combination with pressure Gauge
- » Air Lock Valve



No.	Description	Material
1	Body	CI/WCB/CF8/CF8M/DI
2	Disc	DI/SS 304 / SS 316
3	Seat	PTFE
4	Collar	PTFE
5	"O" Ring	Viton
6	Metal Bush	PTFE Coated
7	Top Shaft	AISI 410
08	Pad	Silicon
09	Disc Pin	S. S. 304
10	Bottom Shaft	AISI 410
11	"O" Ring	Viton
12	Plug	M.S.
13	Actuator	Aluminium Standard

All Dimension are in mm.

Valve Size	A		B	ØD
	MM	Inch		
50	2"	99.5	67	101
65	2.1/2"	115	65	112
80	3"	120	81	130
100	4"	158	95	160
125	5"	153.5	112.5	185
150	6"	195	122	218
200	8"	221	165	270
250	10"	236	208	340
300	12"	270	243.5	380