

Pneumatic Actuator Operated Rubber Lined Double Flange Type Butterfly Valve

Pneutork offers rubber lined butterfly valve for HVAC & utilities. These valves are truly Fit & Forget Valve which requires minimum maintenance. The body line which also function as per soft seat, comes in integrally moulded version and offers bi-directional sealing against vacuum up to the pressure of PN 10 / PN 16 Size Range: 1.1/2" to 28" (50mm to 700mm)

Size Range - 3" to 28" (80mm to 700mm)

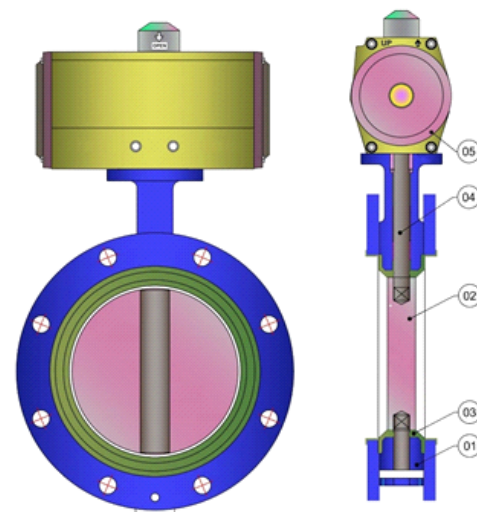
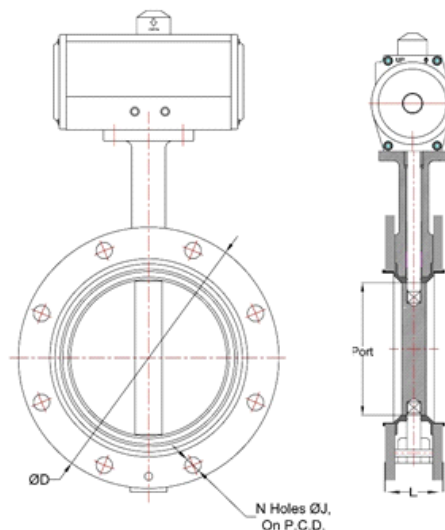
Butterfly Valve Specification.

Valve Type	Centric Disc Butterfly Valve with single Piece Rubber Lined Body
Body Type	Short Wafer Type Double Flange
Seat Type	Integrally moulded with The Body (Renewable seat on Request)
End Connection	REPLACEABLE ON REQUEST Flange type to Suit 150# / Table "D" / Table "E" & IS 6392 Table 11 (PN 10/PN 16)
Pressure Rating	PN10 / PN 16
Oper. Temp. Range	-20°C to 80°C
Seat Leakage	Tight Shut Off

Item	Type of Test	Testing Pressure	Temperature Range	
			Seat	Temperature
Actuator	Pneumatic Bubble Test	180 PSI to 150 PSI	Nitrile	-13°C to 100°C
Valve Body	Hydraulic	225 PSIG	EPDM	-13°C to 120°C
Seat	Hydraulic	150 PSIG	Silicon	-50°C to 180°C
			VITON	-5°C to 200°C

Accessories

- » On/Off Actuator
- » NAMUR Standard solenoid valve all standard coil voltage (Flame proof solenoid coil on request)
- » Pneumatic & Electro pneumatic valve positioner.
- » Declutchable Manual Over ride
- » Limit Switch for on/off indication at panel board.
- » Air filter + Regulator combination with pressure Gauge
- » Air Lock Valve



Actuators ■ Positioners ■ Limit S

No.	Description	Material	Qty.
1	Body	Cast iron/ WCB / S. S. 304 / S. S. 316	01
2	Disc	S. G. Iron / S. S. 304 / S. S. 316	01
3	Moulded Seat	Nitrile / EPDM / Viton / Silicon	01
4	Shaft	AISI 410 / AISI 304 / AISI 316	01
5	Bottom Pin	AISI 410 / AISI 304 / AISI 316	01
6	Pneumatic Actuator	STD.	

All Dimension are in mm.

MM	Inch	Port	L LONG PATTERN	L SHORT PATTERN	ØD	N	ØJ	PCD
80	3"	80	114	46	190	4	19.05	152.4
100	4"	100	127	52	230	8	19.05	190.5
125	5"	125	136	56	280	8	22.2	241.3
150	6"	150	138	60	345	8	22.2	241.3
200	8"	200	152	68	345	8	22.2	298.5
250	10"	249	165	78	405	12	25.4	362
300	12"	297	178	78	485	12	25.4	431.8
350	14"	348	190	102	535	12	28.6	476.3
400	16"	394	216	114	595	16	28.6	539.8
450	18"	433	222	127	635	16	31.75	577.9
500	20"	470	229	154	700	20	31.75	635
600	24"	570	267	165	815	20	34.9	749.3
650	26"	635	278	165	870	24	34.9	806.4
700	28"	680	292	165	925	28	34.9	863.6