

# Pneumatic Actuator Operated Rubber Lined Lug Type Butterfly Valve

Pneutork offers rubber lined butterfly valve for HVAC & utilities. These valves are truly Fit & Forget Valve which requires minimum maintenance. The body line which also function as per soft seat, comes in integrally moulded version and offers bi-directional sealing against vacuum up to the pressure of PN 10 / PN 16

## Size Range- 1.1/2" to 28" (50mm to 700mm)

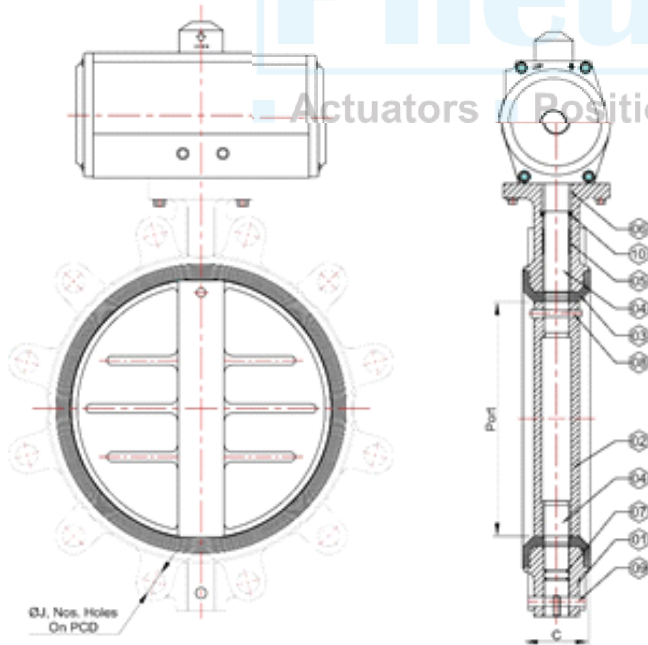
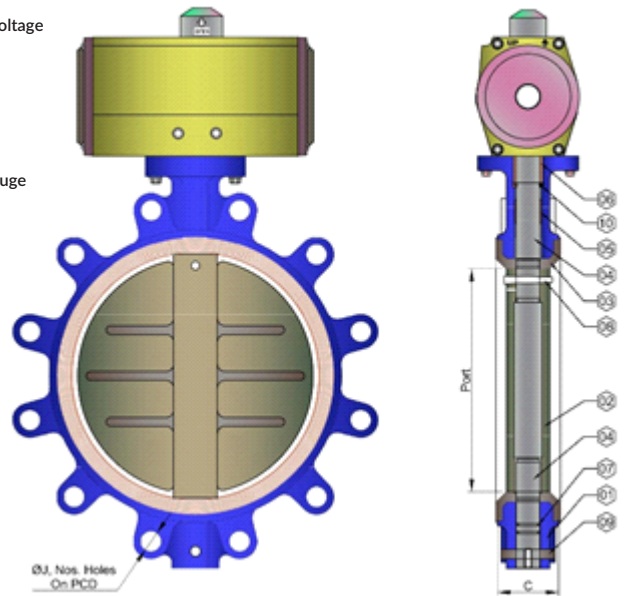
### Butterfly Valve Specification.

Valve Type	Centric Disc Butterfly Valve with single Piece Rubber Lined Body
Body Type	Soft Wafer Type
Seat Type	Integrally moulded with The Body (Renewable seat on Request)
End Connection	Wafer type Suit 150# / Table "D" / Table "E" & IS 6392 Table 11 (PN 10/PN 16)
Pressure Rating	PN10 / PN 16 (PN20 on request)
Oper. Temp. Range	-20oC to 80oC for nitrile seat (Depending on MOC)
Seat Leakage	-20OC t 120OC for EPDM seatTight Shut Off

Item	Type of Test	Testing Pressure	Operating Temperature	
			Normal	High
Actuator	Pneumatic Bubble Tight	180 PSI to 150 PSI	-20°C TO 80°C	High. Temp. On Request
Valve Body	Hydraulic	225 PSIG	Max. 80°C	High. Temp. On Request
Seat	Hydraulic	150 PSIG	Max. 80°C	High. Temp. on Request

### Accessories

- » On/Off Actuator
- » NAMUR Standard solenoid valve all standard coil voltage (Flame proof solenoid coil on request)
- » Pneumatic & Electro pneumatic valv positioner.
- » Declutch able Manual Over ride
- » Limit Switch for on/off indication at panel board.
- » Air filter + Regulator combination with pressure Gauge
- » Air Lock Valve



### All Dimension are in mm.

Valve Size		PORT	C	PCD	N	ØJ
MM	Inch					
40	1.1/2"	40	33.5	98.55	04	15.75
50	2"	50	43.5	120.65	04	19.05
65	2.1/2"	65	46	139.7	04	19.05
80	3"	80	46	152.4	04	19.05
100	4"	100	52	190.5	08	19.05
125	5"	125	56	215.9	08	22.2
150	6"	150	56	241.3	08	22.2
200	8"	200	60	298.5	08	22.2
250	10"	241	68	362	12	25.4
300	12"	286	78	431.8	12	25.4
350	14"	333	78	476.3	12	25.4
400	16"	382	102	539.8	16	28.6
450	18"	433	114	577.9	16	28.6
500	20"	476	127	635	20	37.75

No.	Description	Material	Qty.
1	Body	Cast iron/ WCB / S. S. 304 / S. S. 316	01
2	Disc	S. G. Iron / S. S. 304 / S. S. 316	01
3	Molded Seat	Nitrile / EPDM / Viton / Silicon	01
4	Shaft	AISI 410 / AISI 304 / AISI 316	01
5	Bottom Pin	AISI 410 / AISI 304 / AISI 316	01
6	Pneumatic Actuator	STD.	