

Pneumatic Actuator Operated Spherical Disc Valve 150# & 300#

Pneutork offers precise and strong durable upto 210OC temperature and 10kg/cm2 / 20kg/cm2 Pressure.

Size Range- 1.1/2" to 20" (40mm to 500mm)

Special Features

Compact Design	Full Port – Offers Mass Flow
Simple Structure	Light & Smooth, Takes Very short time for opening and closing with very low torque
Easy maintenance	Replaceable Seals Design
Self-Cleaning	Self-cleaning the undercut disc segment and seal tends to wipe away the material from the sealing area,
Gland Pressing plate	Ensure complete utilization of gland seals.

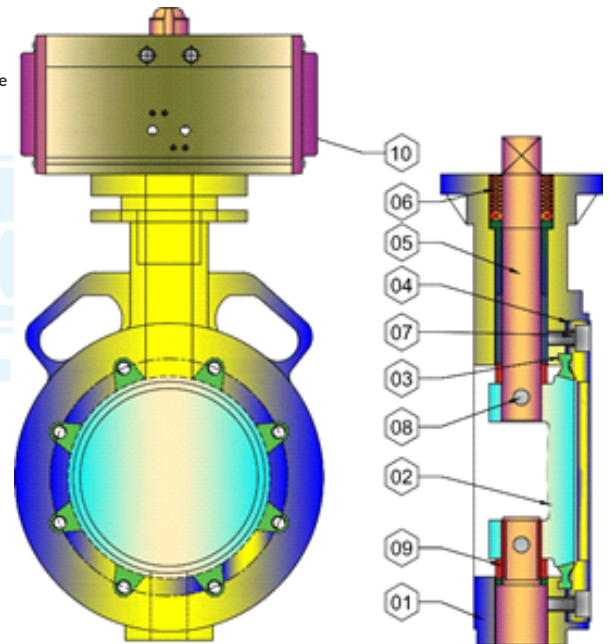
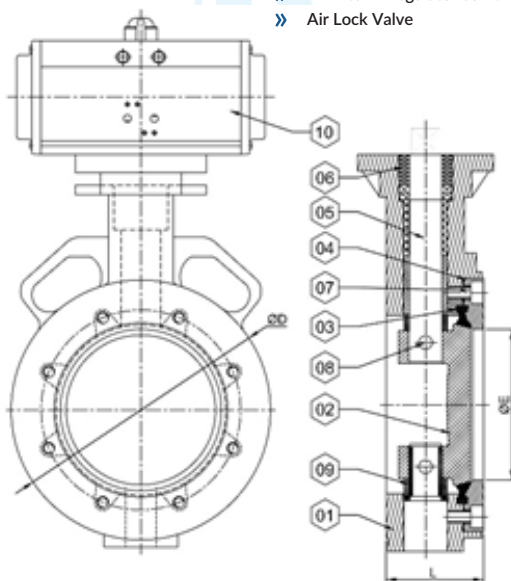
Application

- » Hygienic powder and slurries, especially in pharmaceutical industries.
- » Chemical and dyeing fluids in textile processing
- » Brines and waters
- » Steam lines, Air, Gas Lines, Vacuum
- » Gland Pressing plate: Ensure complete utilization of gland seals.

Item	Type of Test	Testing Pressure	Operating Temperature	
			Normal	High
Actuator	Pneumatic Bubble Tight	180 PSI to 150 PSI	-20°C TO 80°C	High. Temp. On Request
Valve Body	Hydraulic	22 Kg/Cm ² / 30kg/Cm ²	Max. 300°C	High. Temp. On Request
Seat	Hydraulic	10 Kg/Cm ² / 1 Kg/Cm ²	Max. 210°C	High. Temp. on Request

Accessories

- » On/Off Actuator
- » NAMUR Standard solenoid valve all standard coil voltage (Flame proof solenoid coil on request)
- » Pneumatic & Electro pneumatic valve positioner.
- » De clutch able Manual Over ride
- » Limit Switch for on/off indication at panel board.
- » Air filter + Regulator combination with pressure Gauge
- » Air Lock Valve



All Dimension are in mm.

No.	Description	Material
1	Body	WCB / CF8 / CF8M
2	Disc	CF8 / CF8M
3	Seat	PTFE / GFT / CFT
4	Shaft	AISI 410 / 304 / 316
5	Retainer	M.S. / SS 304 / SS 316
6	Gland Packing	PTFE / NBR / Viton
7	Retainer Bolt	S. S.
8	Disc Pin	S. S. 304 / 316
9	Stem Plate	M. S. / S S 304 / S S 316
10	Shaft Bush	M. S. / S S 304 / S S 316
11	Bracket	M.S.
12	Actuator	STD.

Valve Size		150#				300#		
MM	Inch	L	C	ØE	ØD	L	ØE	ØD
40	1.1/2"	42	57	38	82	42	38	88
50	2"	45	68.5	50.8	95	45	50.8	101
66	2.1/2"	48	74.5	60.6	108	48	60.6	108.5
80	3"	48	80	72	127	48	72	127
100	4"	54	96	100	159	54	100	159
125	5"	57	117	123	186	59	123	187
150	6"	57	132	143	217	59	143.2	219
200	8"	64	157	192	270	64	192	270
250	10"	71	187	239	322	87	239.2	340
300	12"	81	218	290	382	92	290	394
350	14"	92	242	335	436	117	335	436
400	16"	102	270.5	387.5	495	123	387.5	500
450	18"	114	362	425	540	149	425	540
500	20"	127	400	475	595	159	475	595