

# Pneumatic Actuator Operated UPVC Wafer Type Butterfly Valve

Pneutork offers ISO 5211 Standard pneumatic rotary actuator operated UPVC butterfly valve now come with an update design that offers angle switching control. Increased neck height makes it easier to install. Sealing surface and through hole are processed on CNC machines for reliable and enhanced sealing performance.



## Size Range: 2" to 8" (40mm to 200mm)

Higher size available on request

### Butterfly Valve Specification.

Body	UPVC
Disc	Polypropylene
Pressure	7kg/cm <sup>2</sup>
Temperature	Upto 80OC
End	Wafer type

### Advantages

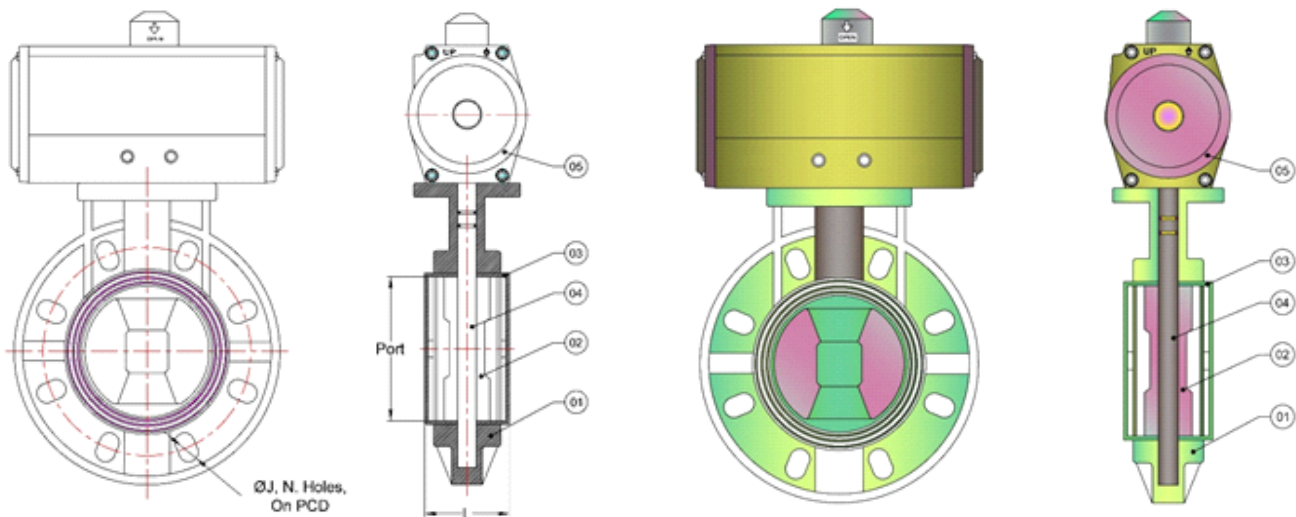
- » Improve PP Disc to enhance the performance.
- » Thickness body and seal to extend the service life.
- » Materials meet drinking water standard.
- » 100% pure virgin material, CaCO<sub>3</sub> free (chalk).
- » UV resistant powder added.
- » Can be assembled with pneumatic actuator.

Item	Type of Test	Testing Pressure	Operating Temperature Normal
Actuator	Pneumatic Bubble Test	180 PSI to 150 PSI	-20°C TO 80°C
Valve Body	Hydraulic	150 PSIG	Max. 80°C
Seat	Hydraulic	100 PSIG	Max. 80°C

### Accessories

- » On/Off Actuator
- » NAMUR Standard solenoid valve all standard coil voltage (Flame proof solenoid coil on request)
- » Pneumatic & Electro pneumatic valve positioner.
- » Declutch able Manual Over ride
- » Limit Switch for on/off indication at panel board.
- » Air filter + Regulator combination with pressure Gauge
- » Air Lock Valve

No.	Description	Material	Qty.
1	Body	UPVC	01
2	Disc	Polypropylene	01
3	Shaft	AISI 410	01
4	Seat	NBR	01
5	Pneumatic Actuator	Standard	01



Valve Size		PORT	L	ØD	ØJ	N	PCD
MM	Inch						
50	2"	54	44.5	160	20	4	123
65	2.1/2"	67	48	184	21	4	143
80	3"	83	53	198	21	8	157
100	4"	101	57	231	24	8	186
125	5"	127	68	257	24	8	213
150	6"	152	73	285	24	8	240
200	8"	200	92	340	24	8	296