

Pneumatic Actuator Operated Wafer Type Metal Seated Damper Valve

Pneutork offers ISO 5211 standard pneumatic rotary actuator operated flow control application of Air and Gas.



Size Range: 1.1/2" to 20" (40mm to 500mm)

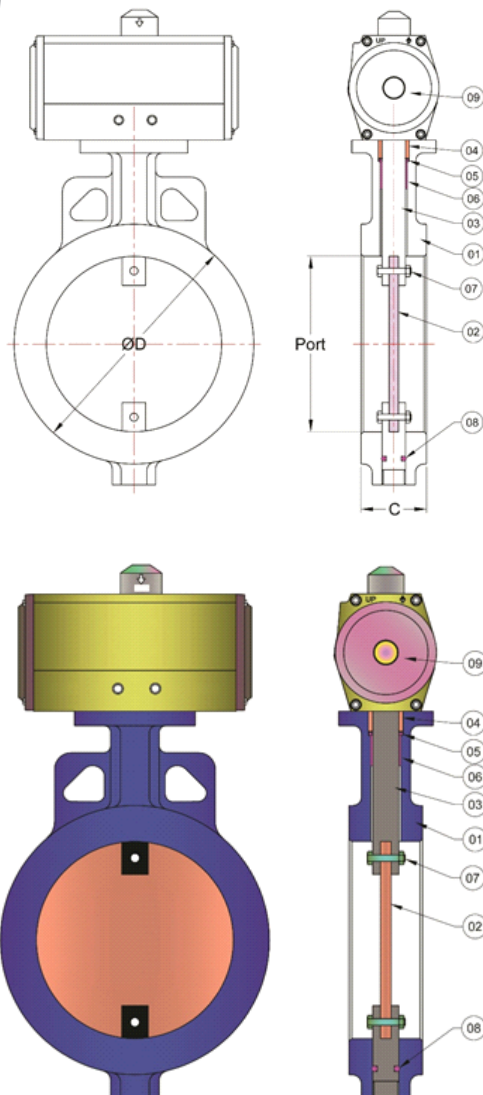
Butterfly Valve Specification.

Valve Type	Wafer type Damper Valve with Metal to Metal
Body Type	Short Wafer Type (sandwiched between flanges) Damper
Seat Type	Metal to Metal
End Connection	Wafer Sandwiched
Pressure Rating	PN 6 (Maximum)
Oper. Temp. Range	-20°C to 400°C (Depending on MOC) upto 600°C
Seat Leakage	5% Leakage of full flow (class 1 available On Request)

Accessories

- » On/Off Actuator
- » NAMUR Standard solenoid valve all standard coil voltage (Flame proof solenoid coil on request)
- » Pneumatic & Electro pneumatic valve positioner.
- » Declutch able Manual Over ride
- » Limit Switch for on/off indication at panel board.
- » Air filter + Regulator combination with pressure Gauge
- » Air Lock Valve

Item	Type of Test	Testing Pressure
Actuator	Pneumatic Bubble Test	180 PSI to 150 PSI
Valve Body	Hydraulic	10 Kg/Cm ²
Seat	Hydraulic	5% leakage



No.	Description	Material
1	Body	Cast iron/ WCB / S. S. 304 / S. S. 316
2	Disc	S. G. Iron / S. S. 304 / S. S. 316
3	Shaft	AISI 410 / AISI 304 / AISI 316
4	Teflon Bush	Teflon
5	Gland Ring	Graphite
6	Bearing Bush	Metal Bush PTFE Coated
7	Nut & Bolt	S. S. 202 / S. S. 304
8	Bottom Ring	Graphite
9	Pneumatic Actuator	Standard

All dimension are in mm.

Valve Size		PORT	C	ØD
MM	Inch	±1MM	±2MM	±5MM
40	1.1/2"	40	33.5	85
50	2"	50	43.5	80
65	2.1/2"	65	46	102
80	3"	80	46	125
100	4"	100	52	139
125	5"	125	56	168
150	6"	150	56	204
200	8"	200	60	252
250	10"	245	68	316
300	12"	295	78	362
350	14"	340	78	405
400	16"	388	102	470
450	18"	450	90	540
500	20"	490	90	595