

Pneumatic Actuator Operated Wafer Type / TC End Butterfly Valve For Pharma Application.

Pneutork offers ISO 5211 pneumatic rotary actuator operated BUTTERFLY VALVE FOR PHARMA APPLICATION.

► Size Range- 1" to 20" (40mm to 500mm wafer type, 25mm to 300mm TC end)

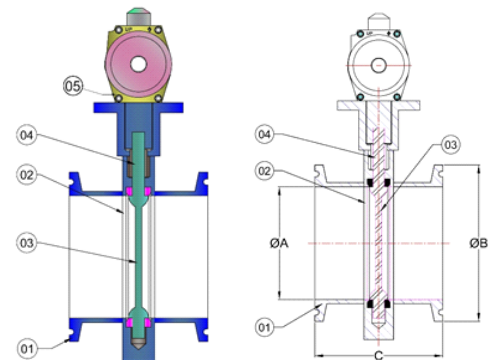
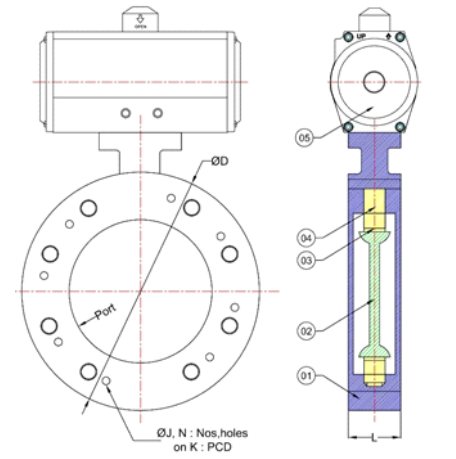
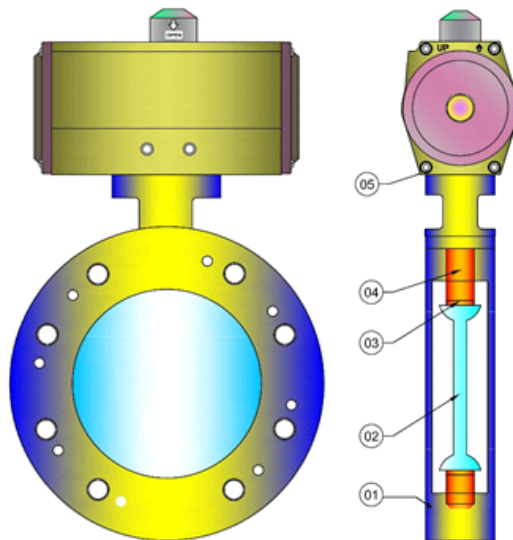
► Butterfly Valve Specification.

Valve Type	Wafer type
Body Type	Short Wafer Type (sandwiched between flanges)
Seat Type	Food grade silicon (others on request)
End Connection	Wafer Sandwiched / Tc End
Pressure Rating	PN 6 (Maximum)
Oper. Temp. Range	-20°C to 95°C

► Accessories

- » On/Off Actuator
- » NAMUR Standard solenoid valve all standard coil voltage(Flame proof solenoid coil on request)
- » Pneumatic & Electro pneumatic valve positioner.
- » Declutch able Manual Over ride
- » Limit Switch for on/off indication at panel board.
- » Air filter + Regulator combination with pressure Gauge
- » Air Lock Valve

No.	Description	Material
1	Body	SS 304 / SS 316 / SS 316L
2	Disc	SS 304 / SS 316 / SS 316L
3	Seat	Silicon
4	Shaft	SS 304 / SS 316 / SS 316L
5	Pneumatic Actuator	Standard.



		Dimension Of Wafer Type						Dimension Of TC End		
MM	Inch	Port ±1MM	L ±3MM	ØD ±5MM	N	ØJ ±5MM	PCD ±1.5MM	A	B	C
25	1"	25	24	85	4	6.35	65	22.1	50.5	60
40	1.1/2"	38	25	95	4	6.35	74	34.8	50.5	60
50	2"	50	26	118	4	7.9	97	47.5	64	60
65	2.1/2"	63	26	127	4	7.9	105	6.2	77.5	60
80	3"	76	26	144	4	7.9	128	72.2	91	74
100	4"	100	25	160	4	7.9	142	97.6	119	90
125	5"	127	25	200	6	9.5	175	148.4	167	85
150	6"	150	25	225	6	9.5	203	199.2	217	88
200	8"	200	28	285	6	9.5	264	250	268	90
250	10"	250	28	335	6	11	298	300	319	90
300	12"	300	30	385	8	14.5	360			
350	14"	350	35	440	8	14.5	415			
400	16"	400	35	490	10	17.5	460			
450	18"	457	35	540	10	17.5	508			
500	20"	508	35	600	12	17.5	565			

NOT AVAILABLE