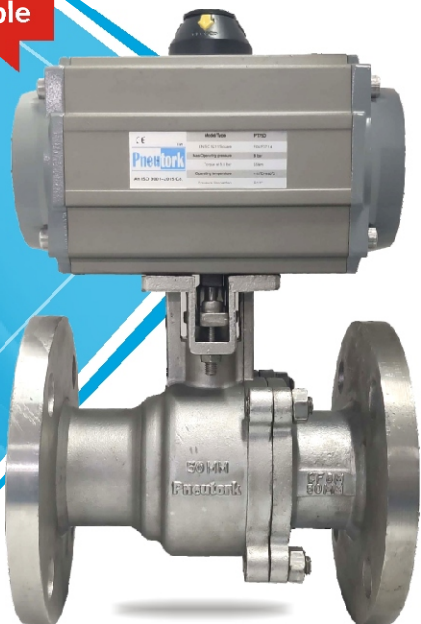


# Pneumatic Rotary Actuator Operated 2 Pcs Ball Valve

Pneutork offers ISO 5211 standard pneumatic actuator operated investment casting WCB/CF8/CF8M ball valve in two piece design. Engineered for multiple ON/OFF operation in the down stream.

**Fire Safe Design Available**



## Size Range - 1/2" to 8" (15MM TO 200MM)

### Standard

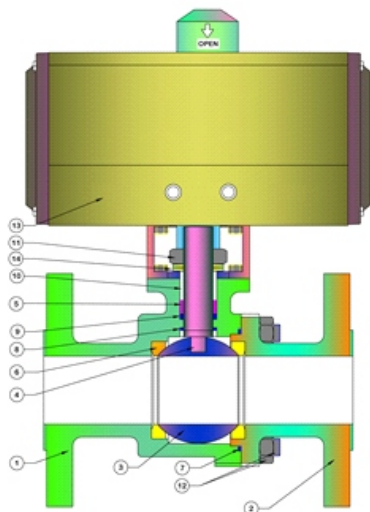
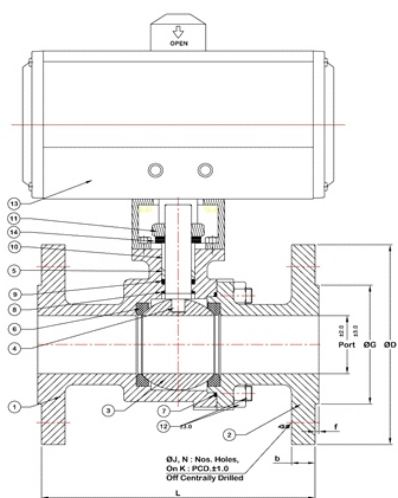
Design and Manufacturing: ASME B 16.34  
Valve Face to Face Dimension: ASME B 16.10  
Flange standard Conformity: ASME B 16.5 Class 150#, 300#  
Inspection & Testing: API 598

Item	Type of Test	Testing Pressure	Working Pressure	Operating Temperature High temp. On Request
Actuator	Pneumatic	115 PSIG	60 TO 115 PSIG	-20°C TO 80°C
	Bubble Tight			
Valve body Flanged 150#	Hydraulic	450 PSIG	315 PSIG	MAX. 180°C
Valve body Flanged 300#	Hydraulic	1125 PSIG	815 PSIG	Max. 180°C

**NOTE : Fire Safe Design Available on Request.**

### Accessories

- » On/Off Actuator
- » NAMUR Standard solenoid valve all standard coil voltage (Flame proof solenoid coil on request)
- » Pneumatic & Electro pneumatic valve positioner.
- » Declutchable Manual Over ride
- » Limit Switch for on/off indication at panel board.
- » Air filter + Regulator combination with pressure Gauge
- » Air Lock Valve



No.	Description	Material
1	Body	WCB / S.S. 304 / S.S. 316
2	End Connector	WCB / S.S. 304 / S.S. 316
3	Ball	S.S. 304 / S.S. 316
4	Ball Seat	PTFE / CFT / GFT
5	Stem Pin	AISI S.S. 304 / S.S. 316
6	Body Seat	Graffoil
7	Conn O Ring	PTFE / CFT / GFT
8	Stem Seat Bottom	PTFE/CFT/GFT
9	Stem O ring	PTFE/CFT/GFT
10	Stem Seat Top	Graffoil
11	Gland	S. S. 304/S. S. 316
12	Fitting Nut & Spring Washer	H.T./S.S. 202
13	Pneumatic Actuator	Standard

### Dimension in mm

FLANGED END 150#

Valve Size	Port	L	ØD	b	Øg	f	ØJ	f	PCD	Valve Size	Port	L	ØD	b	Øg	f	ØJ	f	PCD
Tolerance	±1mm	±3mm	±2mm	±2mm	±1mm				±1.5mm	Tolerance	±1mm	±3mm	±2mm	±2mm	±1mm				±1.5mm
15MM 1/2"	13	108	90	8	34.9	2	15.9	4	60.3	15MM 1/2"	13	140	95	12.7	34.9	2	15.9	4	66.7
20MM 3/4"	19	117	100	8.9	42.9	2	15.9	4	69.9	20MM 3/4"	19	152	115	14.3	42.9	2	19.05	4	82.6
25MM 1"	25	127	110	9.6	50.8	2	15.9	4	79.4	25MM 1"	25	165	125	15.9	50.8	2	19.05	4	88.9
32MM 1.1/4"	32	140	115	11.2	63.5	2	15.9	4	88.9	32MM 1.1/4"	32	178	135	17.5	63.5	2	19.05	4	98.4
40MM 1.1/2"	38	165	125	12.7	73	2	15.9	4	98.4	40MM 1.1/2"	38	190	155	19.1	73	2	19.05	4	114.3
50MM 2"	49	178	150	14.3	92.1	2	19.05	4	120.7	50MM 2"	49	216	165	20.7	92.1	2	19.05	8	127
65MM 2.1/2"	62	190	180	15.9	104.8	2	19.05	4	139.7	65MM 2.1/2"	62	241	190	23.9	104.8	2	22.2	8	149.2
80MM 3"	74	203	190	17.5	127	2	19.05	4	152.4	80MM 3"	74	282	210	27	127	2	22.2	8	168.3
100MM 4"	100	229	230	22.3	157.2	2	19.05	8	190.5	100MM 4"	100	305	255	30.2	157.2	2	22.2	8	200
125MM 5"	128	254	255	22.3	185.7	2	22.2	8	215.9	125MM 5"	128	381	280	33.4	185.7	2	22.2	8	235
150MM 6"	150	267	280	23.9	215.9	2	22.2	8	241.3	150MM 6"	150	403	320	35	215.9	2	22.2	12	269.9
200MM 8"	201	292	345	27	269.9	2	22.2	8	298.5	200MM 8"	201	419	380	39.7	269.9	2	25.4	12	330.2